



Radio Nurse Call Receiver

The radio receiver is designed to work with the existing nurse call systems. The radio receiver interfaces through the local call point bus which makes integration extremely simple. The command messages of a radio key will activate the alarm through the local call point connections C and D. There is no requirement to program the radio keys as the radio messages will be validated by command and device type only. The radio receiver can be operated in two modes: Any Key Operation Mode and Programmed Key Only Mode. If operated in Any Key Mode the radio receiver will accept any SmartLink radio keys. If operated in Programmed Key Only Mode the radio receiver will only accept SmartLink keys that have been previously checked into the receiver (Maximum 40).

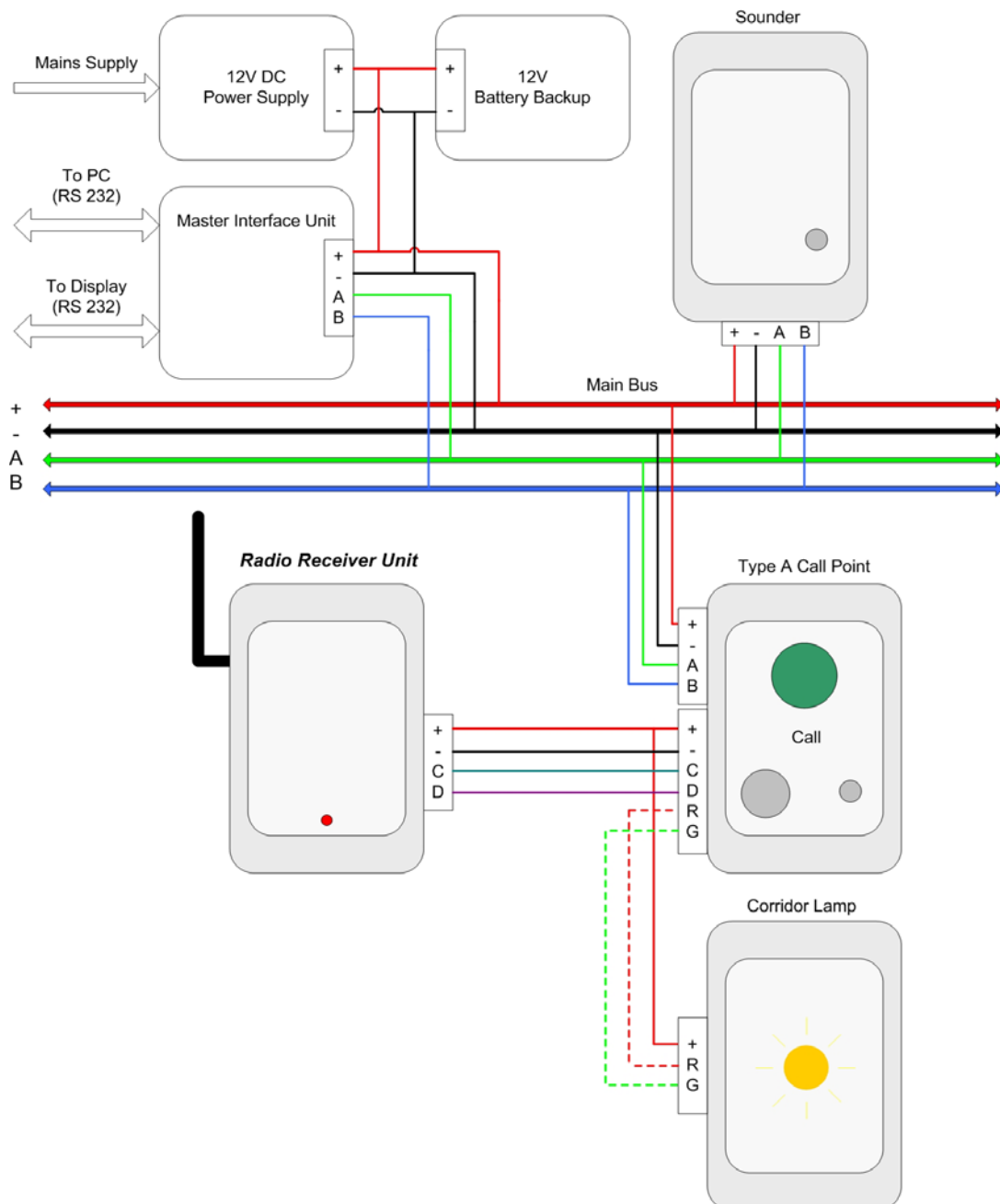
INSTALLATION MANUAL

MODES OF OPERATION

The Radio Nurse Call Receiver can be programmed to operate in two different modes:

1. **Any Key Operation Mode**, where the Radio Nurse Call Receiver will accept signals from any SmartLink radio keys or,
2. **Programmed Key Operation Mode**, where the SmartLink radio keys (maximum of 40) must be programmed into the Radio Nurse Call Receiver before being accepted.

Typical Installation of the Radio Nurse Call Receiver onto a SmartWire MKII system



Any Key Operation

This operation mode allows the radio nurse call to operate with any Smartlink radio keys. To enable this mode remove any links on the terminal block between terminals Z1 and 0V. *Refer to PCB layout shown below.*

Programmed Key Operation

This operation mode allows the radio nurse call to operate with programmed Smartlink radio keys only. To enable this mode place a link on the terminal block between terminals Z1 and 0V. *Refer to PCB layout shown below.*

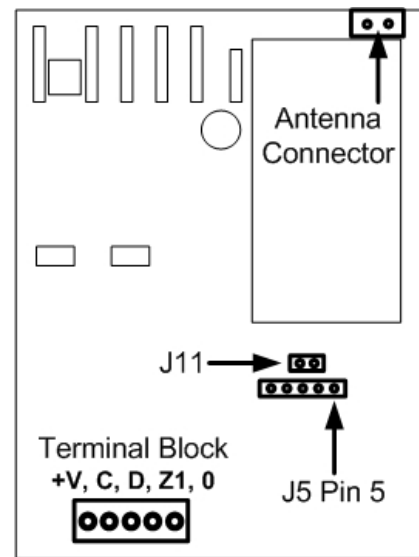
Accepted Wireless SmartLink Devices

Wireless Call Points/Pendants

Universal waterproof pendants
Wireless Wall mount call points
Box style pendants

Wireless Devices

Wireless smoke detector (Ver 1.2 or higher)



PCB Layout

Programming Radio Keys into Receiver

To Program the Radio Keys into the Receiver do the following:

1. Link the program mode shunt J11, the radio receiver will then be in learn mode, LED will double flash once.
2. Activate the radio key that will operate radio nurse call. The LED will fast flash for each radio message and long flash on the third message to acknowledge the radio key is programmed.
3. Radio receiver is now programmed.
4. To program a second device, repeat above steps (up to 40 radio keys can be programmed)
5. Programming a 41st device will erase the 40th device so that there are no more than 40 devices programmed.

Removing Radio Keys from Receiver

To erase all devices, activate a key programmed 5 times in program mode with erase pin (pin 5 of J5) linked to program mode pin. LED will fast flash continuously to indicate successful erase operation.

LED Operation

Normal Mode	LED State
Idle	Fast flash every second
Alarm	Steady ON for the duration of the alarm
Device Alarm, PIR or Reed Switch	Momentary

Program Mode	LED State
Activation of a radio key	Double fast flash once
1 st and 2 nd radio messages	10 ms fast flash
3 rd radio message	2 sec long flash
A programmed key message	2 sec long flash

SPECIFICATIONS

- Size 75 x 115 x 20 mm
- Weight 70 grams
- Operating Voltage 7 – 16 Volts DC
- Quiescent Current 8 mA
- Alarm Current 16 mA
- Frequency 304.85 MHz
- Radio Inputs 24 or 56 bit ON, OFF, PANIC

© Copyright SmartLink International Pty Ltd

Tel: (03) 9596 0770 Facsimile: (03) 9596 8195

Email: smartlink@smartlink.com.au

Web Site: www.smartlink.com.au

To the best of our knowledge, the information contained in this manual is correct at the time of print. SmartLink International Pty Ltd reserves the right to make changes to the features and specifications at any time without prior notice in the course of product development.